

Machinery Parts Request form.

To assure you receive the correct parts, please fill out the following:

Date: _____ Sales Person _____

Company Name: _____ Acct # _____

Contact: (first & last) _____ Ph# _____ Ext _____

Date Sold: _____ Inv # _____ PN # 2502-8010 &
2502-8011

Name of MFG: DYNABRADE Model #59020 & 59025

Serial # _____

Parts Requested:

1) Qty ___ Part # _____ Description _____

2) Qty ___ Part # _____ Description _____

3) Qty ___ Part # _____ Description _____

4) Qty ___ Part # _____ Description _____

Warranty: **Yes** or **No** (circle one) Note: If under warranty, please describe the problem below.

Describe warranty problem (please be specific)

Fax parts request to Andrena C. Podaca @ 562 566-5027 Or Call
800-727-9787 Ext. 5617

Dynorbital-Spirit™

Complete Assembly

For Models:

59000, 59003, 59004, 59005, 59008, 59009
 59010, 59013, 59014, 59015, 59018, 59019
 59020, 59023, 59024, 59025, 59028, 59029
 59030, 59033, 59034, 59035, 59038, 59039
 59040, 59043, 59044, 59100, 59103, 59104
 59105, 59108, 59109, 59110, 59113, 59114

KEY

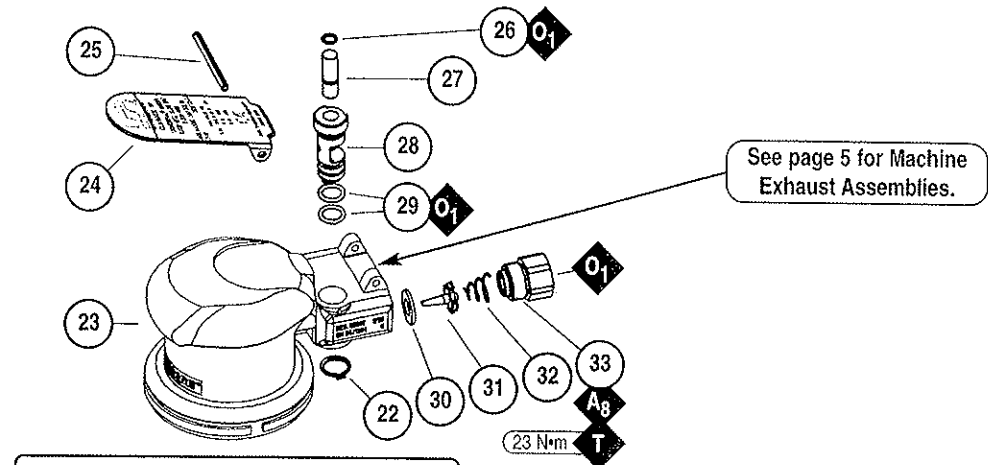
O Oil: O₁ = Air Lube

A Adhesive: A₂ = Loctite #271
 A₈ = Loctite #567

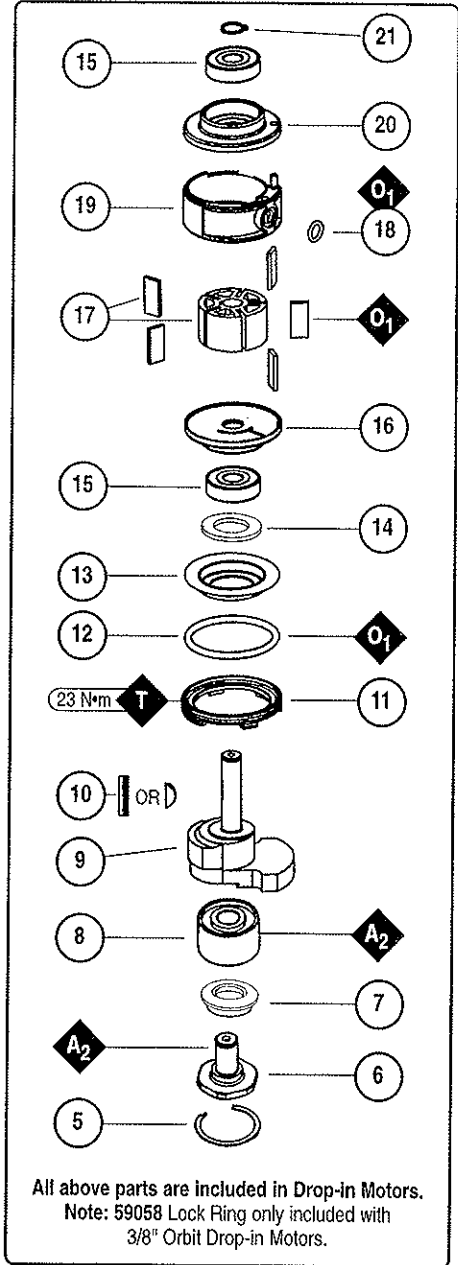
T Torque: N·m x 8.85 = In. - lbs.

Index Key

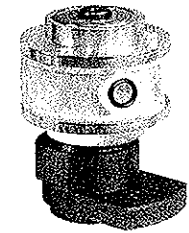
No.	Part #	Description	
1		Sanding Pads (See Pg. 10)	
2		Vacuum Lip-Seal Shroud 57089 5" & 6"	
3		Vacuum Shroud 57084 3 1/2"	
4		Shroud (Non-Vac) 54458 3-1/2" 56051 5" & 6" (Lip Seal)	
5	95630	Snap Ring	
6	57069	Balancer Shaft	
7	59084	V-Seal	
8	56052	Bearing	
9		Motor Shaft Balancer	
Orbit			
	3" & 3-1/2"	5"	6"
3/8"	59070	59071	59072
3/16"	59060	59061	59062
3/32"	59065	59066	59067
10	56047	Key	
	98461	Key	
11	59058	Lock Ring	
12	50659	O-Ring	
13	59057	"Top Hat" Seal	
14	59083	Felt	
15	58368	Bearing (2)	
16	59076	Front Bearing Plate	
17	57113	Rotor/Blade Set	
18	01024	O-Ring	
19	59051	Cylinder	
20	59077	Rear Bearing Plate	
21	98463	Retaining Ring	
22	95697	Retaining Ring	
23		Housing (See Chart, Pg. 6)	
24	59054	Throttle Lever - 3/8"	
	59052	Throttle Lever - 3/16"	
	59053	Throttle Lever - 3/32"	
25	98927	Pin	
26	98459	O-Ring	
27	58363	Valve Stem	
28	58364	Speed Regulator	
29	01025	O-Ring (2)	
30	01464	Seal	
31	58365	Tip Valve	
32	01468	Spring	
33	01494	Inlet Bushing	



See page 5 for Machine Exhaust Assemblies.



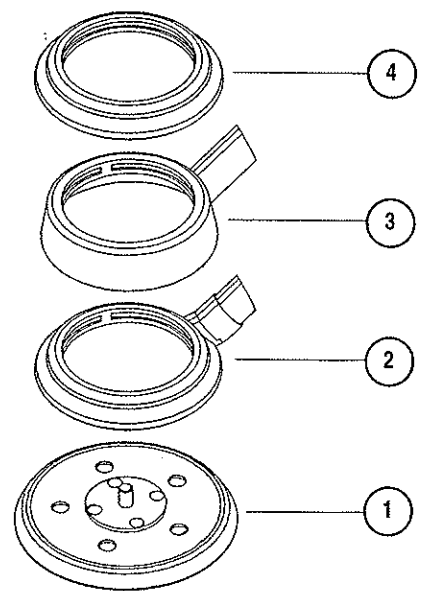
All above parts are included in Drop-in Motors.
 Note: 59058 Lock Ring only included with 3/8" Orbit Drop-in Motors.



Highly Recommended Drop-in Complete Motor Assemblies

Orbit	3" & 3-1/2"	5"	6"
3/8"	59450	59453	59456
3/16"	59451	59454	59457
3/32"	59452	59455	59458

For assembly instructions, see page 6.



Note: To order replacement parts specify the Model # and Serial # of your machine.